

**HLL LIFECARE LIMITED**

(A Government of India Enterprise)  
Project Division, Peroorkada. PO,  
Thiruvananthapuram – 695005,  
Kerala, India  
Phn: 0471 – 2437270, 2437884  
Fax: 0471 – 2432898, 2432647

**INVITATION FOR BIDS (IFB)**

**AMENDMENT NOTICE NO - 1**

Sub: Supply of SS Tanks and SS Collection vessels as per the drawings enclosed for our new condom manufacturing facility at Rubber Park, Irapuram, Kochi.

Ref: IFB Ref No. HLL/IP/IFC/SSVESSELS/2014 dated 16.01.2014

**Amendment Date: 20.01.2014**

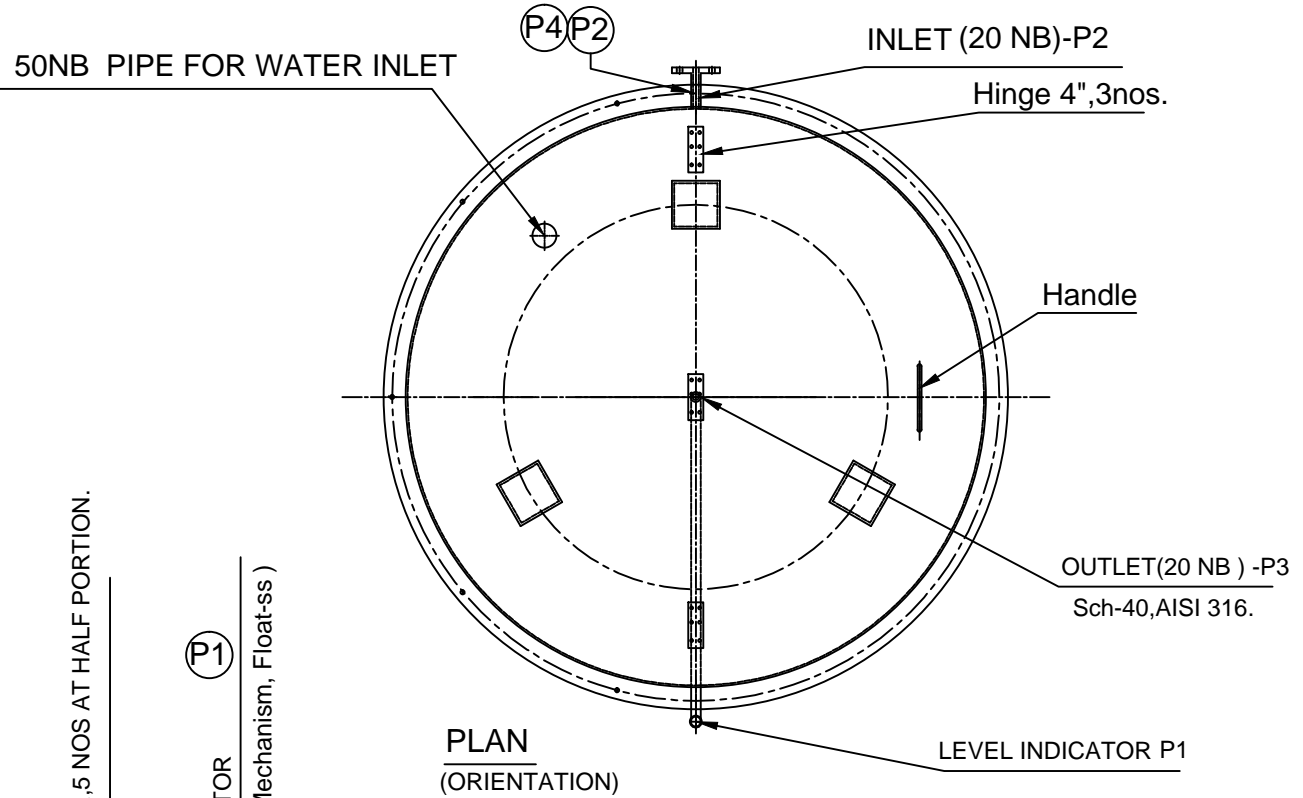
With reference to the above mentioned tender, the specification of the SS Tanks is hereby amended as follows:

1. Specification of SS BALL VAVE : 40NB SS BALL VAVE, FLANGED END

The revised drawing is attached. All other terms and conditions of the tender remain unchanged.

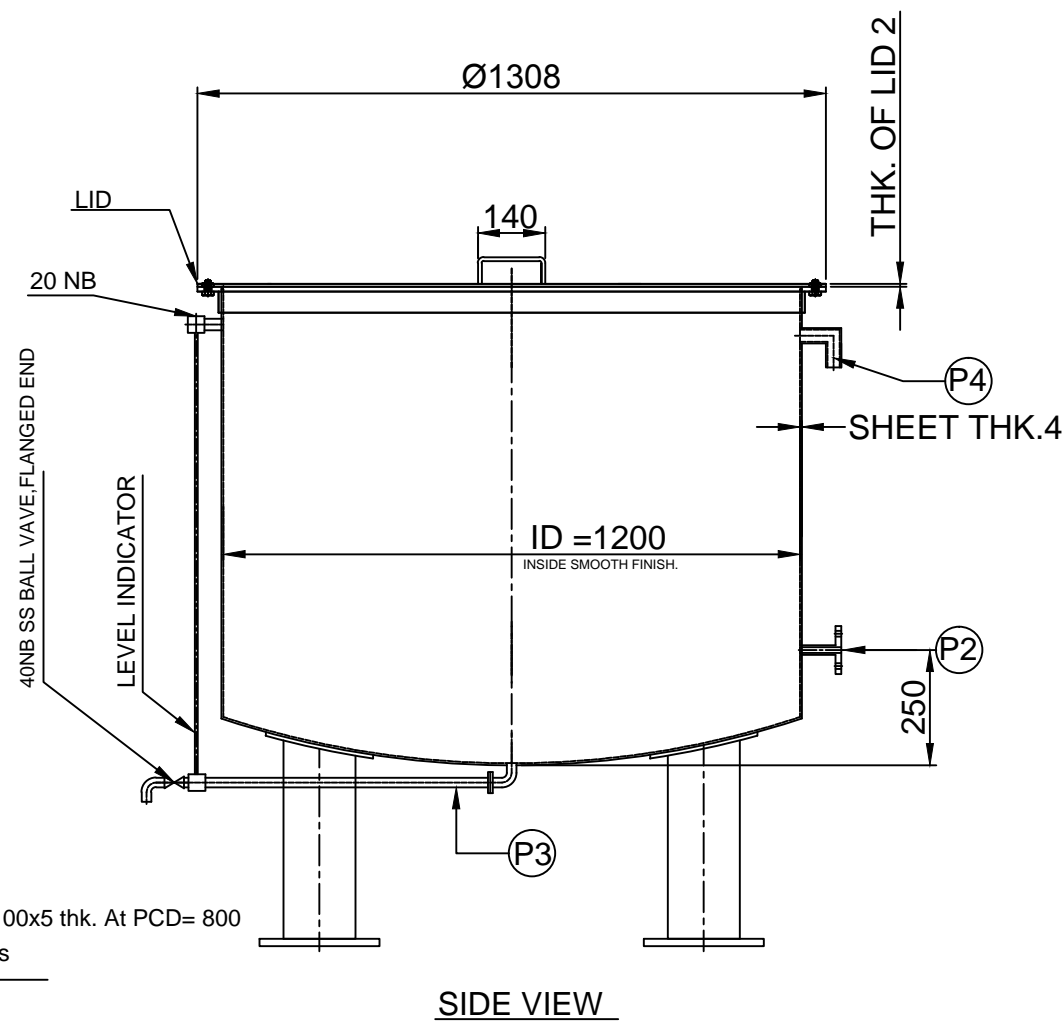
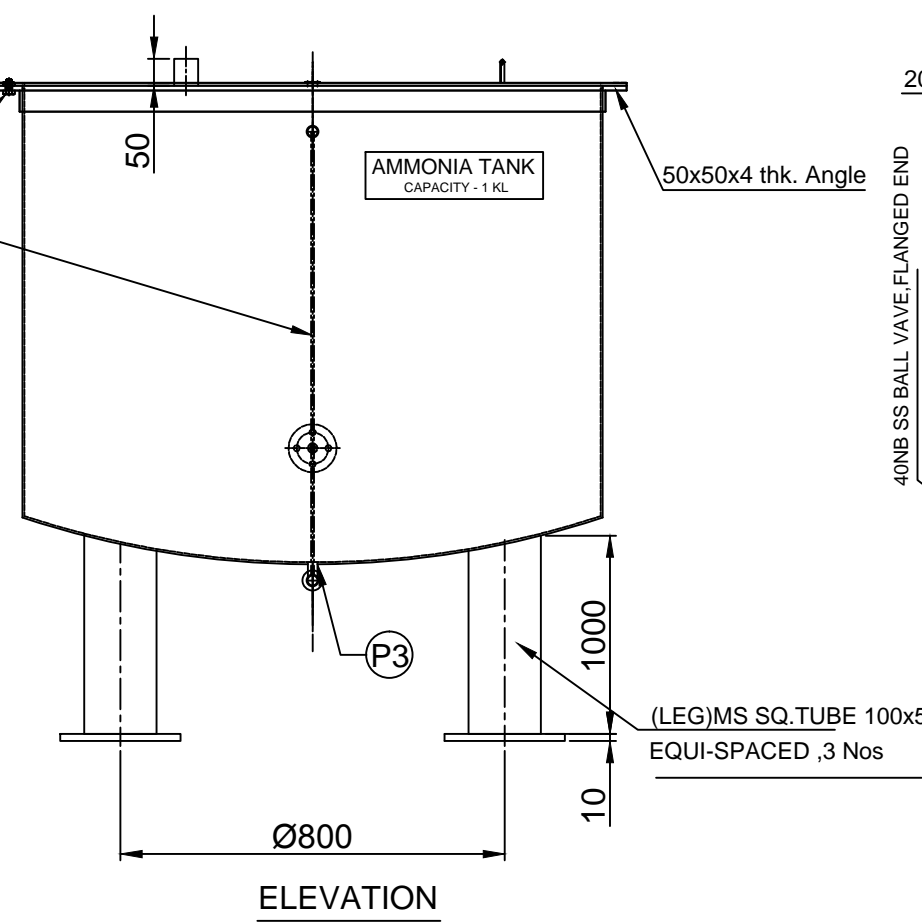
**EXECUTIVE DIRECTOR (INTERNAL PROJECTS)**

MARK	SERVICE	DIA.	QTY.
P-1	LEVEL INDICATOR		1NO.
P-2	WATR INLET(15 NB)	AISI OD=20	1NO.
P-3	WATER OUTLET(40 NB)	AISI OD=20	1NO.
P-4	OVER FLOW(40 NB)	AISI OD=55	1NO.



M8 SS BOLT&NUT WITH WASHER, 5 NOS AT HALF PORTION.

LEVEL INDICATOR (P1)  
(Float and cord Mechanism, Float-ss)



**NOTE:-**  
 All materials are AISI 304.  
 All flanges are as per 'F' table  
 All pipes are AISI 304 ,Sch.40 ,Bs -10,Seamless.  
 All welding are using 'TIG'  
 Test certificate shall be produced for ss sheet used.

Tank size ID 1200x 1000 Height X 4 Thickness.

MATERIAL: AISI 304	<b>HLL LIFECARE LIMITED.</b> Thiruvananthapuram-5		NO:OFF.
DRAWN BY: M.P. PAUL	TITLE:- <b>AMMONIA TANK</b> (CAPACITY - 1 KL)		
CHECKED BY:			
APPROVED BY:			
DATE: 17-01-2014	Drg .no:-HLL-CED-B2-037-00		REV:- 0
SCALE:	SHEET.NO:-1OFF.1		DATE:-
ALL DIMENSIONS ARE IN M.M			